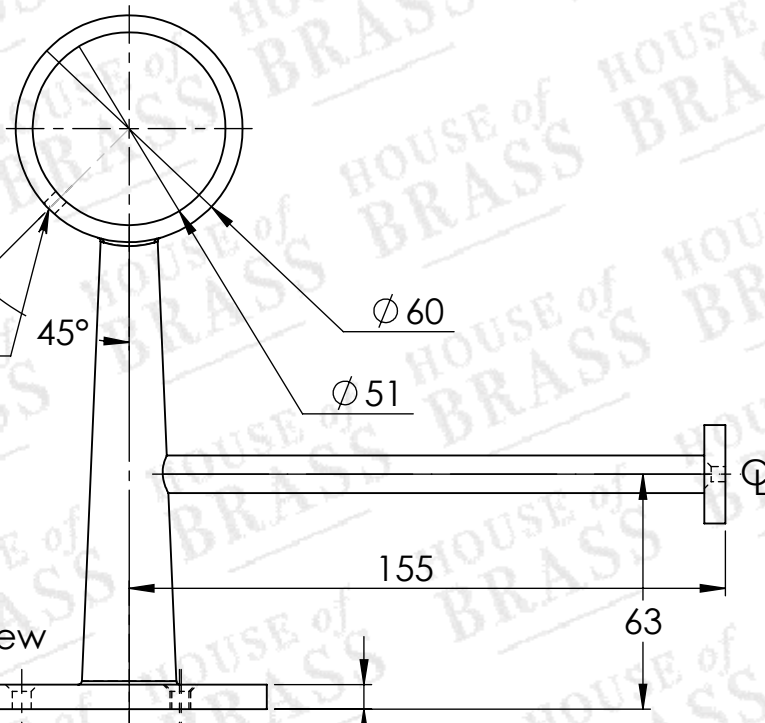


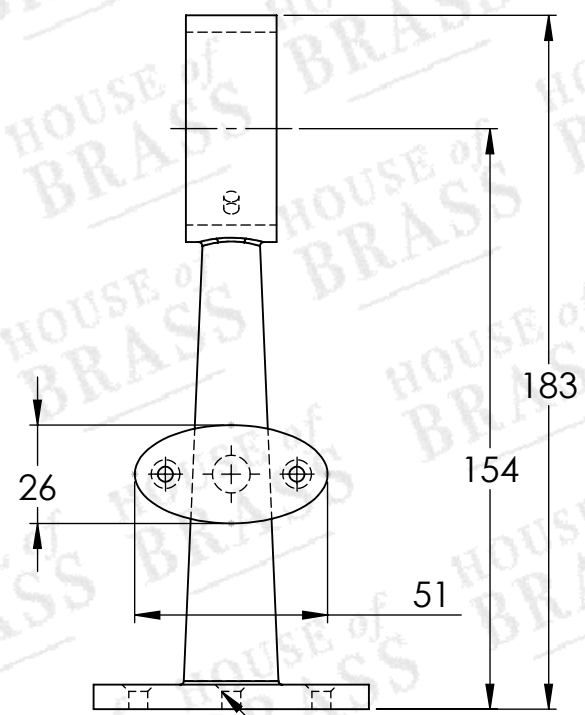
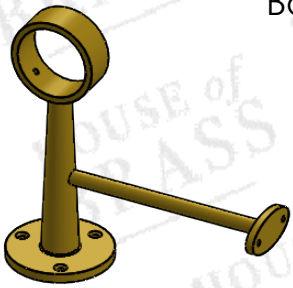
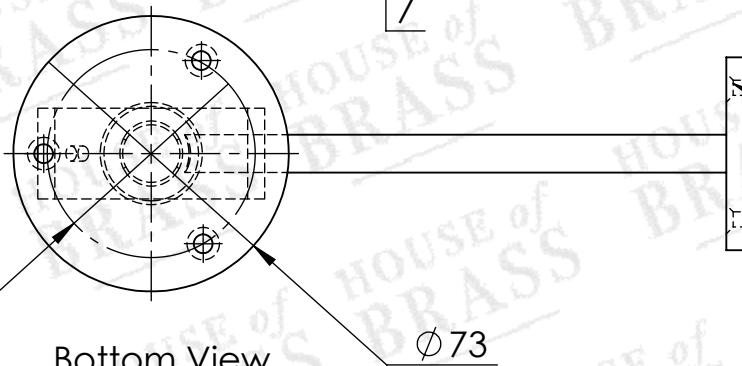
HOUSE of BRASS

M5 Allen Screw

Front View



Bottom View



Side View

Ø 5 x 32 mm Screw

Ø 8 X 32 mm Screw

ALL DIMENSIONS ARE IN MM

MACHINE :		UNLESS OTHERWISE SPECIFIED: DIMENSIONS ARE IN MILLIMETERS	NAME	DATE	Part No. : 588B-PB-51 mm
NET WEIGHT :		We reserve the right to make minor changes to dimensions without notice.	DRAWN	PRERIT	
SURFACE AREA :			CHECKED		TITLE:
			ENG. APPR.		FootRail Bracket with Low Side Stem For Ø 51mm Tube
			MFG APPR.		
			Q.A		
PROPRIETARY AND CONFIDENTIAL		MATERIAL: Brass	House Of Brass		
THE INFORMATION CONTAINS IN THIS DRAWING IS THE SOLE PROPERTY OF HOUSE OF BRASS. ANY REPRODUCTION IN PART OR AS A WHOLE WITHOUT THE WRITTEN PERMISSION OF HOUSE OF BRASS IS PROHIBITED.		FINISH : Polished Brass Unlacquered			
NEXT ASSY	USED ON	DEBURR AND BREAK SHARP EDGES	DWG NO.	588BPB51FRB	REVISION
APPLICATION		DO NOT SCALE DRAWING	SCALE: 1:2		A
				SHEET 1 OF 1	